



UTS Series

High-Performance Precision Translation Stages



 **Newport**[®]

USER'S MANUAL

Warranty

Newport Corporation warrants this product to be free from defects in material and workmanship for a period of 1 year from the date of shipment. If found to be defective during the warranty period, the product will either be repaired or replaced at Newport's discretion.

To exercise this warranty, write or call your local Newport representative, or contact Newport headquarters in Irvine, California. You will be given prompt assistance and return instructions. Send the instrument, transportation prepaid, to the indicated service facility. Repairs will be made and the instrument returned, transportation prepaid. Repaired products are warranted for the balance of the original warranty period, or at least 90 days.

Limitation of Warranty

This warranty does not apply to defects resulting from modification or misuse of any product or part.

CAUTION

Warranty does not apply to damages resulting from:

- **Incorrect usage:**
 - **Load on the stage greater than maximum specified load.**
 - **Carriage speed higher than specified speed.**
 - **Improper grounding.**
 - **Connectors must be properly secured.**
 - **When the load on the stage represents an electrical risk, it must be connected to ground.**
 - **Excessive or improper cantilever loads.**
- **Modification of the stage or any part thereof.**

This warranty is in lieu of all other warranties, expressed or implied, including any implied warranty of merchantability or fitness for a particular use. Newport Corporation shall not be liable for any indirect, special, or consequential damages.

© 2018 by Newport Corporation, Irvine, CA. All rights reserved.

Original instructions.

No part of this document may be reproduced or copied without the prior written approval of Newport Corporation. This document is provided for information only, and product specifications are subject to change without notice. Any change will be reflected in future publishings.



CAUTION

Please return equipment in the original (or equivalent) packing.

You will be responsible for damage incurred from inadequate packaging if the original packaging is not used.

Table of Contents

Warranty	ii
EC Declaration of Conformity.....	v
Definitions and Symbols.....	vi
Warnings	vii
Cautions	viii
<hr/>	
1.0 — Introduction.....	1
<hr/>	
2.0 — Description	2
2.1 Design Details	3
<hr/>	
3.0 — Characteristics.....	3
3.1 Definitions	3
3.2 Mechanical Specifications	4
3.3 Load Specification Definitions.....	5
3.4 Load Characteristics and Stiffness	5
3.5 Stage Weights	5
<hr/>	
4.0 — Drives and Motors	6
4.1 Stepper Drive Version	6
4.2 DC-Motor Drive Version	6
4.3 Sensor Position.....	7
4.4 Feedback Signal Position for UTS-CC Stages	7
4.5 Pinouts.....	8
4.6 MSCABLE-3 Cable.....	8
<hr/>	
5.0 — Connection to Newport Controllers.....	9
5.1 Warnings on Controllers	9
5.2 Connection.....	10
5.3 Cables	10
5.4 MSCABLE-3 Cable.....	10
<hr/>	
6.0 — Connection to Non-Newport Electronics	12
6.1 Connections	12
<hr/>	
7.0 — Dimensions	13
7.1 UTS-CC and UTS-PP Stages	13
7.2 UTS-PPV6 Vacuum Compatible Stages	14

8.0	— Accessories	15
8.1	Top Plate	15
8.2	Base Plates	15
8.3	Right-Angle Brackets	16
<hr/>		
9.0	— Maintenance	17
9.1	Maintenance	17
9.2	Repair	17
9.3	Calibration	17
<hr/>		
	Service Form	19

EC Declaration of Conformity

UTS Series



EU Declaration of Conformity

following Annex II-1A
of Directive 2006/42/EC on machinery

The manufacturer:

MICRO-CONTROLE Spectra-Physics,
9 rue du Bois Sauvage
F-91055 Evry FRANCE

Hereby declares that the machinery:

- Description: " UTS"
- Function: High-Performance Translation stages
- Models: UTS50/100/150-CC/PP/PPV6

– the technical file of which was compiled by:

Mr Hervé LE COINTE , Quality Director,
MICRO-CONTROLE Spectra-Physics, Zone Industrielle - B.P.29
F-45340 Beaune La Rolande France

- complies with all the relevant provisions of the Directive 2006/42/EC on machinery.
- complies with all the relevant provisions of the Directive 2014/30/EU relating to electro-magnetic compatibility.
- complies with all the relevant provisions of the Directive 2011/65/EU relating to RoHS2.

– was designed and built in accordance with the following harmonised standards:

- NF EN 61326-1:2013 « Electrical equipment for measurement, control and laboratory use – EMC requirements – Part 1: General requirements »
- NF EN 55011:2010/A1:2011 Class A

– was designed and built in accordance with the following other standards:

- NF EN 61000-4-2
- NF EN 61000-4-3
- NF EN 61000-4-4
- NF EN 61000-4-5
- NF EN 61000-4-6

ORIGINAL DECLARATION

Done in Beaune La Rolande on 16 May 2017
Hervé LE COINTE
Quality Director

DC1-EN rev:A

Definitions and Symbols

The following terms and symbols are used in this documentation and also appear on the product where safety-related issues occur.

General Warning or Caution



The exclamation symbol may appear in warning and caution tables in this document. This symbol designates an area where personal injury or damage to the equipment is possible.

The following are definitions of the Warnings, Cautions and Notes that may be used in this manual to call attention to important information regarding personal safety, safety and preservation of the equipment, or important tips.



WARNING

Warning indicates a potentially dangerous situation which can result in bodily harm or death.



CAUTION

Caution indicates a potentially hazardous situation which can result in damage to product or equipment.

NOTE

Note indicates additional information that must be considered by the user or operator.

European Union CE Mark



The presence of the CE Mark on Newport Corporation equipment means that it has been designed, tested and certified as complying with all applicable European Union (CE) regulations and recommendations.

Warnings and Cautions



ATTENTION

This stage is a Class A device. In a residential environment, this device can cause electromagnetic interference. In this case, suitable measures must be taken by the user.

Warnings



WARNING

The motion of objects of all types carries potential risks for operators. Ensure the protection of operators by prohibiting access to the dangerous area and by informing the personnel of the potential risks involved.

WARNING

Do not use this stage when its motor is emitting smoke or is unusually hot to the touch or is emitting any unusual odor or noise or is in any other abnormal state.

Stop using the stage immediately, switch off the motor power and then disconnect the electronics power supply.

After checking that smoke is no longer being emitted contact your Newport service facility and request repairs. Never attempt to repair the stage yourself as this can be dangerous.

WARNING

Make sure that this stage is not exposed to moisture and that liquid does not get into the stage.

Nevertheless, if any liquid has entered the stage, switch off the motor power and then disconnect the electronics from power supply.

Contact your Newport service facility and request repairs.



WARNING

Do not insert or drop objects into this stage, this may cause an electric shock, or lock the drive.

Do not use this stage if any foreign objects have entered the stage. Switch off the motor power and then disconnect the electronics power supply.

Contact your Newport service facility for repairs.

WARNING

Do not place this stage in unstable locations such as on a wobbly table or sloping surface, where it may fall or tip over and cause injury.

If this stage has been dropped or the case has been damaged, switch off the motor power and then disconnect the electronics power supply.

Contact your Newport service facility and request repairs.

WARNING

Do not attempt to modify this stage; this may cause an electric shock or downgrade its performance.

WARNING

Do not exceed the usable depth indicated on the mounting holes (see section “Dimensions”). Longer screws can damage the mechanics or cause a short-circuit.

Cautions

CAUTION

Do not place this stage in a hostile environment such as X-Rays, hard UV,... or in any vacuum environment.

Only the UTS-PPV6 stage is compatible and can be used in a vacuum environment up to 10^{-6} hPa.

CAUTION

Do not place this stage in a location affected by dust, oil fumes, steam or high humidity. This may cause an electric shock.

CAUTION

Do not leave this stage in places subject to extremely high temperatures or low temperatures. This may cause an electric shock.

- Operating temperature: +10 to +35 °C
 - Storage temperature: -10 to +40 °C (in its original packaging)
-

CAUTION

Do not move this stage if its motor power is on.

Make sure that the cable to the electronics is disconnected before moving the stage. Failure to do so may damage the cable and cause an electrical shock.

CAUTION

Be careful that the stage is not bumped when it is being carried. This may cause it to malfunction.

CAUTION

When handling this stage, always unplug the equipment from the power source for safety.

CAUTION

When the carriage is in its end-of-run position, it is strongly recommended not to go beyond this point as this may damage the stage mechanism.

CAUTION

Contact your Newport service facility to request cleaning and specification control every year.

High-Performance Precision Translation Stages

UTS Series

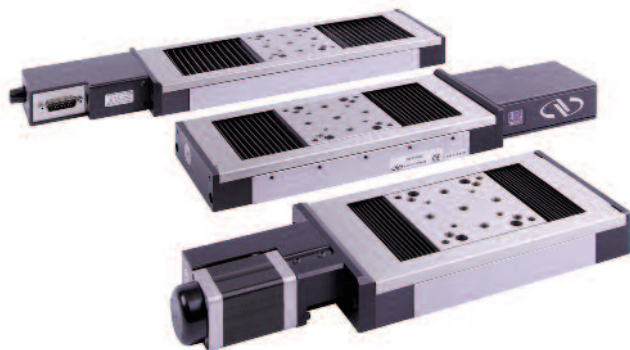
1.0 Introduction

This manual provides operating instructions for the UTS series translation stages.

- UTS-PP
- UTS-PPV6 ⁽¹⁾
- UTS-CC

¹⁾ REMARK

Vacuum compatible stages to 10⁻⁶ hPa. In this case, the max. speed and load capacity have to be divided by two.



UTS translation stages.

RECOMMENDATION

We recommend you read carefully the chapter “Connection to electronics” before using the UTS stage.



UTS50PPV6.

2.0 Description

Newport's UTS series linear stages provide superior motion performance in an enhanced, short, and low profile package. They use the an optimized body, high-performance bearings and lead screw, and completely motor configurations.

UTS linear stages are available in two configurations

The first version, utilizing a DC motor, features an ultra-high resolution 20,000 cts/rev. rotary encoder with index pulse for precision homing and is the recommended choice for applications requiring accurate bi-directional positioning. For tightest position control, the rotary encoder is directly mounted on the lead screw. This eliminates the majority of drive train error sources that affect other stages with indirect position read-out. A high-torque DC motor provides the highest dynamic speed control and allows for linear speeds up to 40 mm/s. A 44:16 belt reduction between the motor and the lead screw increases the available output torque, reduces the servo sensitivity and ensures 0.3 μm incremental motion capability with all Newport motion controllers and drivers.

The stepper motor version is a cost-effective solution for less demanding applications. When used with our XPS, ESP301, or SMC100PP controllers with high micro-stepping capability, low-noise operation and very small incremental motions are guaranteed. The stepper motor versions do not use encoders, instead, position is attained by the number of commanded steps and micro-steps. For this purpose, the stepper motor is directly attached to the lead screw with a proprietary bellow coupling with high-torsion stiffness and no gear or belt drive in between. The high output torque of the stepper motor also minimizes the risk of lost steps and provides optimum motion sensitivity with good linearity between commanded micro-steps and the actual motion of the stage.

All UTS series linear stages feature all-steel construction with preloaded linear ball bearing slides. Steel has an almost 3-times greater stiffness than Aluminum, and provides the UTS stages comparable stiffness to the popular ILS series, but in a much more compact and significantly lower profile package. In addition, because the bearings, the body, the carriage and the lead screw are all made of steel, the UTS has a completely homogenized design minimizing thermal stress or thermal bending effects. The result is more consistent performance than other Aluminum stage designs.

Smooth motion is provided by a diamond-corrected lead screw and a matched, precision lapped nut to ensure high position stability with high vertical load capacity. The nut includes anti-backlash preloading and a sophisticated decoupling system that prevents lead screw eccentricity errors from affecting stage movement.

For XY configurations of UTS stages, use the M-CAP-M41 captive screws. The same screws can also be used for bolting UTS stages directly to custom mounting surfaces (access via thru-holes at the carriage). For mounting UTS stages to optical tables, please use the base plate M-PBN12 (see page 13).

2.1 Design Details

Base Material	Stainless steel
Bearings	Linear ball bearings
Drive Mechanism	Precision ground backlash-compensated leadscrew with decoupling nut
Drive Screw Pitch	2 mm
Feedback	CC: Screw mounted rotary encoder PP and PPV6: No feedback
Limit Switches	Optical
Origin	Optical, at center of travel
Drive Type	DC Servo, Micro Stepper
Cable Length	3 m (included)

3.0 Characteristics

3.1 Definitions

Specifications of our products are established in reference to ISO 230 standard part II “Determination of accuracy and repeatability of positioning numerically controlled axes”.

This standard gives the definition of position uncertainty which depends on the 3 following parameters:

Absolute Accuracy

Difference between ideal position and real position.

Accuracy

Difference between ideal position and real position after the compensation of linear errors.

Linear errors include: cosine errors, inaccuracy of screw or linear scale pitch, angular deviation at the measuring point (Abbe error) and thermal expansion effects. All Newport motion electronics can compensate for linear errors.

The relation between absolute accuracy and on-axis accuracy is as follows:

$$\text{Absolute Accuracy} = \text{Accuracy} + \text{Correction Factor} \times \text{Travel}$$

Repeatability

Ability of a system to achieve a commanded position over many attempts.

Reversal Value (Hysteresis)

Difference between actual position values obtained for a given target position when approached from opposite directions.

Minimum Incremental Motion (MIM or Sensitivity)

The smallest increment of motion a device is capable of delivering consistently and reliably.

Resolution

The smallest increment that a motion device can theoretically move and/or detect. Resolution is not achievable, whereas MIM, is the real output of a motion system.

Yaw, Pitch

Rotation of carriage around the Z axis (Yaw) or Y axis (Pitch), when it moves.

The testing of accuracy, repeatability, and reversal error are made systematically with test equipment in controlled environment (20^{±1} °C).

A linear cycle with 21 data points on the travel and 4 cycles in each direction gives a total of 168 points.

Guaranteed and Typical Specifications

Guaranteed maximum performance values are verified per Newport's A167 metrology test procedure. For more information, please consult the metrology tutorial section in the Newport catalog or at www.newport.com

3.2 Mechanical Specifications

	UTS-CC			UTSPP & UTS-PPV6		
	50	100	150	50	100	150
Travel Range (mm)	50	100	150	50	100	150
Minimum Incremental Motion (µm)	0.3			0.3 ⁽¹⁾		
Uni-directional Repeatability, Typical (Guaranteed) (µm)	±0.30 (±0.5)			±0.30 (±0.5)		
Bi-directional Repeatability, Typical (Guaranteed) ⁽²⁾ (µm)	±0.6 (±1.75)			±2.3 (±3.0)		
Accuracy, Typical (Guaranteed) ⁽²⁾ (µm)	±1.1 (±2.25)	±1.5 (±2.75)	±2.0 (±3.25)	±1.2 (±2.5)	±1.7 (±3.5)	±2.0 (±4.0)
Maximum Speed (mm/s)	40 ⁽³⁾			20 ⁽⁴⁾		
Pitch, Typical (Guaranteed) ⁽²⁾ (µrad) ⁽⁵⁾	±17 (±37)	±25 (±50)	±25 (±60)	±17 (±37)	±25 (±55)	±25 (±60)
Yaw, Typical (Guaranteed) ⁽²⁾ (µrad) ⁽⁵⁾	±12 (±25)	±20 (±35)	±30 (±45)	±12 (±25)	±20 (±35)	±30 (±45)
MTBF (h)	20,000 with 5 kg load and 30% duty cycle					



¹⁾ 0.3 µm with XPS; 0.5 µm with SMC100PP or ESP301.

²⁾ For the definition of Typical and Guaranteed specifications see "Motion Basics Terminology & Standards" Tutorial at www.newport.com

³⁾ With axial loads greater than 1 kg the maximum speed must be reduced to 20 mm/s.

⁴⁾ 10 mm/s for UTS-PPV6; 4 mm/s for UTS-PPV6 when used with SMC100PP.

⁵⁾ To obtain arcsec units, divide µrad value by 4.8.



CAUTION

To reach specifications stated, stages must be fixed on a plane surface with a flatness of 5 µm.

3.3 Load Specification Definitions

Normal Load Capacity (Cz)

Maximum load a stage can move while maintaining specifications.

This value is given with speed and acceleration specified for each stage, and with a load perpendicular to bearings.

	UTS-CC	UTS-PP	UTS-PPV6
Max. Speed (mm/s)	40	20	10
Max. Acceleration (mm/s ²)	160	80	40

Axial Load Capacity ($\pm Cx$)

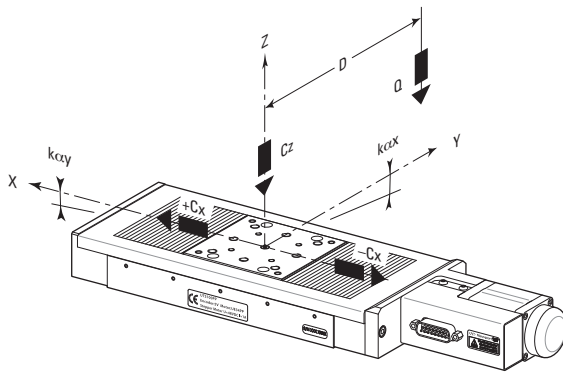
Maximum load along the direction of the drive train.

Off-Centered Load (Q)

Maximum cantilever-load a stage can move: $Q \leq Cz \div (1 + D/50)$

D: Cantilever distance.

3.4 Load Characteristics and Stiffness



	UTS-CC	UTS-PP	UTS-PPV6
Cz, Normal centered load capacity (N)	200	100	100
+Cx, Axial load capacity (N)		50	10
-Cx, Inverse axial load capacity (N)		10	10
Kcax, Compliance in roll ($\mu\text{rad}/\text{Nm}$)		15	15
Kcay, Compliance in pitch ($\mu\text{rad}/\text{Nm}$)		15	15
Q, Off-center load (N)		$Q \leq Cz \div (1 + D/50)$	
Where D = Cantilever distance (mm)			

3.5 Stage Weights

Weights indicated into the below table are average values without any cable.

Travel Range (mm)	Weight [lb (kg)]		
	50	100	150
UTS-CC	6.2 (2.8)	7.1 (3.2)	8.2 (3.7)
UTS-PP & UTS-PPV6	6.4 (2.9)	7.3 (3.3)	8.4 (3.8)
3-meter MSCABLE-3 Cable	0.66 (0.3)		

4.0 Drives and Motors

4.1 Stepper Drive Version

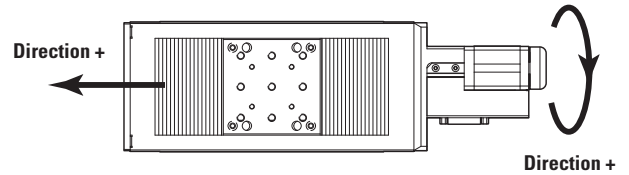
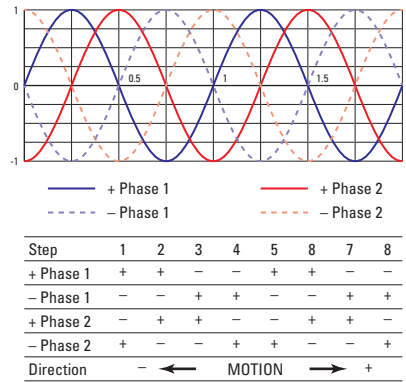
The UTS-PP satge are driven by a micro stepper motor.

Stepper Motor Performance Specifications and Characteristics

	Resolution ⁽¹⁾ (μm)	Speed (mm/s)	Angle by Step ($^\circ$)	RMS Current per Phase (A)	Resistance (Ω)	Inductance (mH)
UTS-PP	0.1	20	1.8	0.71	1.7	2.8
UTS-PPV6	0.1	10	1.8	0.85	5.7	11.3

¹⁾ When used with Newport motion controllers, the motor is driven in a dynamic micro-stepping mode (software communication). In that case, the mechanical sensitivity is approx. 1/100 of a full step.

Command Signals for the Stepper Motors



4.2 DC-Motor Drive Version

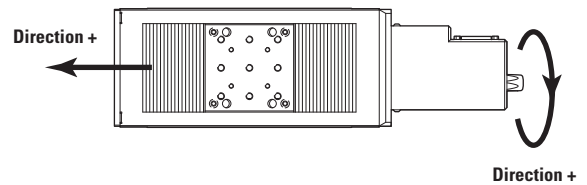
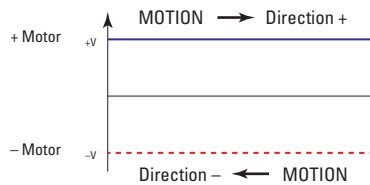
The UTS-CC satge is driven by a DC motor.

DC-Motor Performance Specifications and Characteristics

	Resolution (μm)	Speed (mm/s)	Nominal Voltage (V)	Max RMS Current (A)	Max. Peak Current (A)	Resistance (Ω)	Inductance (mH)	Tachometer Const. (V/krpm)
UTS-CC	0.1	40 ⁽¹⁾	48	0.9	1.8	2.52	0.51	-

¹⁾ With axial loads greater than 1 kg the maximum speed must be reduced to 20 mm/s.

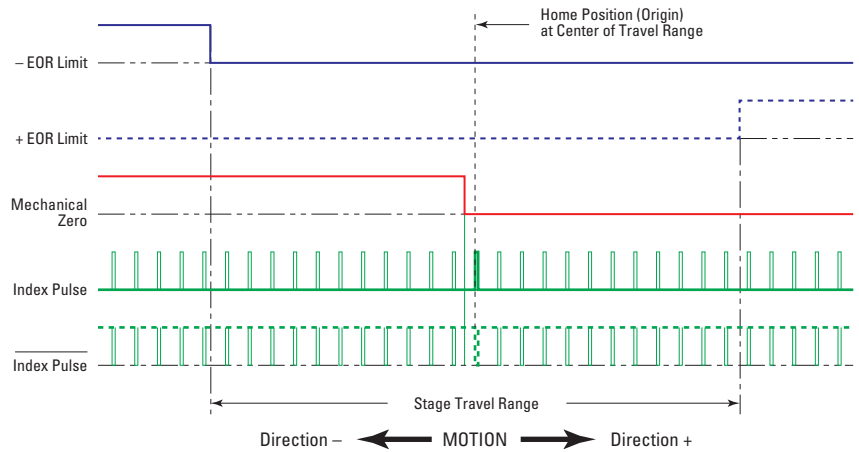
Command Signals for the DC-Motor



In the above drawings, + Motor signal is referred to - Motor signal.

- ① When the stage moves in + Direction, the + Motor voltage is higher than - Motor voltage.
- ② When the stage moves in - Direction, the + Motor voltage is lower than - Motor voltage.

4.3 Sensor Position



End-of-Run and Mechanical Zero are 5 V open collector type.

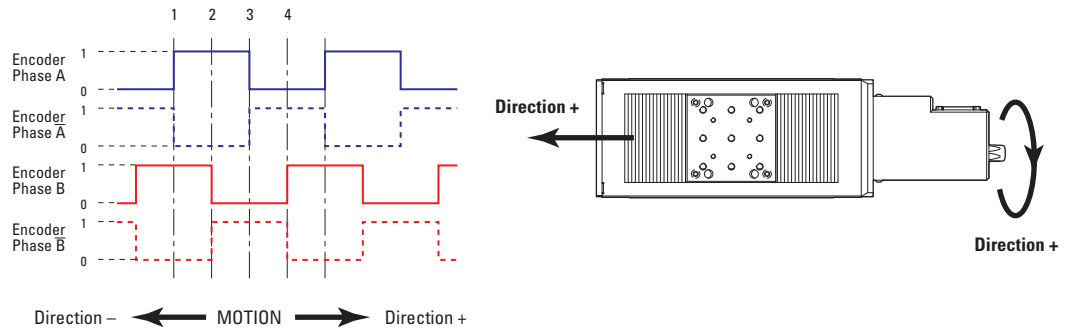
The Index Pulse provides a repeatable Home Position at ± 1 step.



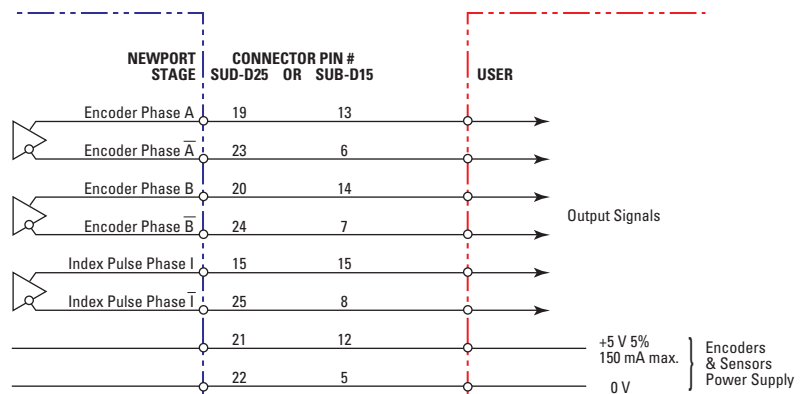
CAUTION

“End-of-Run” and “Mechanical Zero” are active signals and should not be connected to any other source.

4.4 Feedback Signal Position for UTS-CC Stages



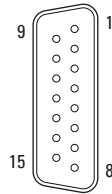
The incremental sensor consists of an optical scale and an encoder head. When the carriage moves, the encoder head generates square signals in quadrature and sends to pins #6, #7, #13 and #14 of the SUB-D15 connector.



“Encoder” and “Index Pulse” are “differential pair” (type RS-422) type output signals. Using these signals permits a high immunity to noise. Emission circuits generally used by Newport are 26LS31 or MC3487. Reception circuits to use are 26LS32 or MC3486.

4.5 Pinouts

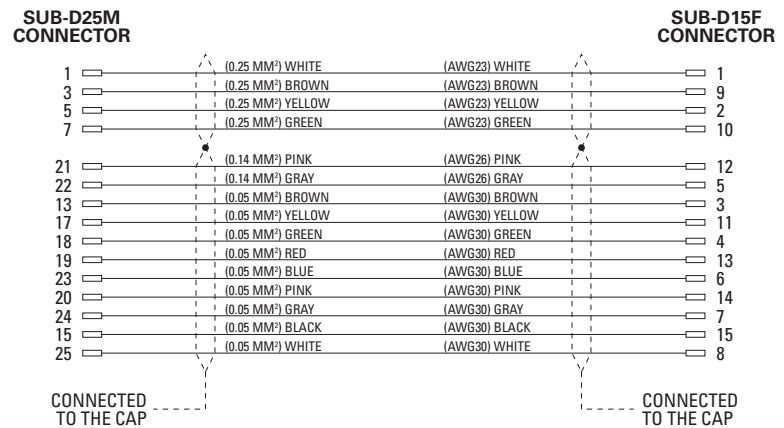
The pinout diagrams for the UTS stages SUB-D15M connectors are shown below.



UTS-PP & UTS-PPV6		UTS-CC	
1	+ Phase 1	1	N.C.
2	+ Phase 2	2	+ Motor
3	Mechanical Zero	3	Mechanical Zero
4	- End-of-Run	4	- End-of-Run
5	0 V	5	0 V
6	N.C.	6	Encoder Phase /A
7	N.C.	7	Encoder Phase /B
8	N.C.	8	Index Pulse /I
9	- Phase 1	9	N.C.
10	- Phase 2	10	- Motor
11	+ End-of-Run	11	+ End-of-Run
12	+5 V	12	+5 V
13	N.C.	13	Encoder Phase A
14	N.C.	14	Encoder Phase B
15	N.C.	15	Index Pulse I

4.6 MSCABLE-3 Cable

A 3-meter MSCABLE-3 cable is supplied with each UTS stage (see section 5.3: "Cables").



WARNING

The MSCABLE-3 cable supplied with the UTS-PPV6 stages is not vacuum compatible or intended for use in vacuum.



It is the customer's responsibility to make a cable for connecting the UTS-PPV6 stage to the controller via a vacuum feed trough.

WARNING

Always turn the controller's power OFF before connecting to a stage.

5.0 Connection to Newport Controllers

5.1 Warnings on Controllers

Controllers are intended for use by qualified personnel who recognize shock hazards and are familiar with safety precautions required to avoid possible injury. Read the controller user's manual carefully before operating the instrument and pay attention to all written warnings and cautions.

WARNING

Disconnect the power plug under the following circumstances:

- If the power cord or any attached cables are frayed or damaged in any way.
- If the power plug is damaged in any way.
- If the unit is exposed to rain, excessive moisture, or liquids are spilled on the unit.
- If the unit has been dropped or the case is damaged.
- If you suspect service or repair is required.
- Whenever you clean the electronics unit.

CAUTION

To protect the unit from damage, be sure to:

- Keep all air vents free of dirt and dust.
- Keep all liquids away from the unit.
- Do not expose the unit to excessive moisture (85% humidity).
- Read this manual before using the unit for the first time.



WARNING

All attachment plug receptacles in the vicinity of this unit are to be of the grounding type and properly polarized.

Contact your electrician to check your receptacles.

WARNING

This product is equipped with a 3-wire grounding type plug.

Any interruption of the grounding connection can create an electric shock hazard.

If you are unable to insert the plug into your wall plug receptacle, contact your electrician to perform the necessary alterations to ensure that the green (green-yellow) wire is attached to earth ground.

WARNING

This product operates with voltages that can be lethal.

Pushing objects of any kind into cabinet slots or holes, or spilling any liquid on the product, may touch hazardous voltage points or short out parts.

5.2 Connection

There is a label on every stage indicating its part and serial numbers.



WARNING

Always turn the controller's power OFF before connecting to a stage.

NOTE



These stages are ESP compatible. Enhanced System Performance is Newport's exclusive technology that enables Newport ESP motion controllers to recognize the connected Newport ESP stage and upload the stage parameters. This ensures that the user can operate the motion system quickly and safely.

5.3 Cables

All UTS stages are delivered with **MSCABLE-3** 3-meter cables with a SUB-D25M connector for direct connection to Newport Controllers.

WARNING



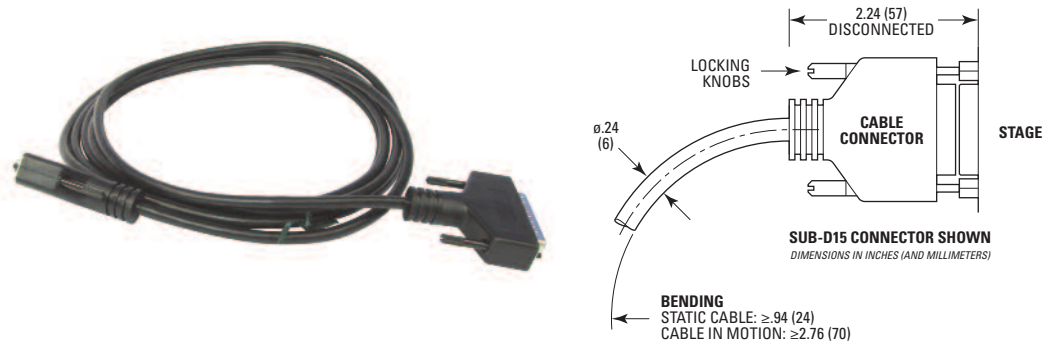
The **MSCABLE-3** cable supplied is not designed for using in a vacuum environment. The customer has the responsibility to link the UTS-PPV6 stage to the bulkhead coupling with a vacuum compatible cable and connect the cable supplied between the controller and the bulkhead coupling (the SUB-D15 connector must be removed).

5.4 MSCABLE-3 Cable



WARNING

The **MSCABLE-3** cable supplied with the UTS-PPV6 stages is not vacuum compatible or intended for use in vacuum.





WARNING

This cable is shielded correctly. For a correct operation, make sure to lock connectors (ground continuity provided by the cable).

For applications where the standard 3-meter cable (**MSCABLE-3**) included with your stage is not adequate, Newport offers a 10-m longer length cable (**MSCABLE-10**) designed to ensure the integrity of your positioning application.

REMARK

The cross section of the MSCAB-10 cable is different from the one of the MSCABLE-3 cable to allow a longer length. The MSCAB-10 cable has the same mechanical properties as the MCAB-10 cable.

These cables are specially shielded and terminated with Newport's standard SUB-D15 and SUB-D25 connectors.

**WARNING**

Keep the motor cables at a safe distance from other electrical cables in your environment to avoid potential cross talk.

6.0 Connection to Non-Newport Electronics

6.1 Connections

WARNING

Newport is not responsible for malfunction or damage of UTS stages when used with non-Newport controllers.

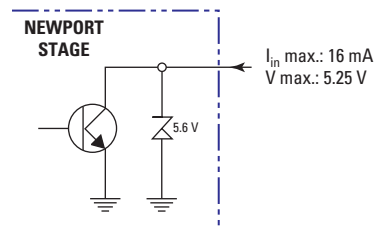
WARNING

Newport guarantees “CE” compliance of UTS stages only if used with Newport cables and controllers.

It is the customer’s responsibility to modify the cable and take care of sensor signal connections, when using the stage with non-Newport controllers.

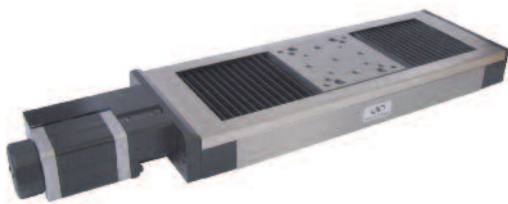
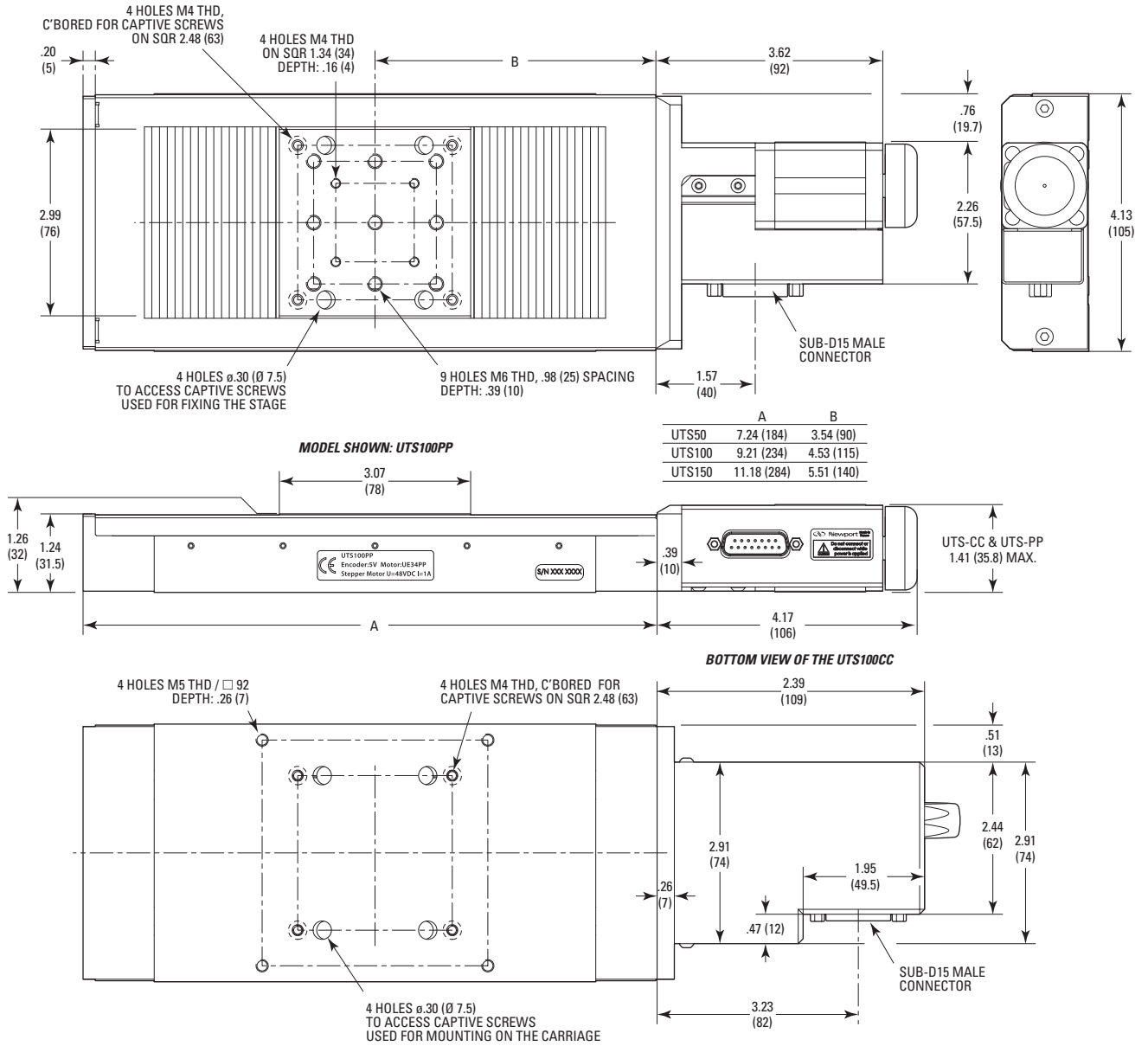


End-of-Runs and Mechanical Zero are open collector type with a 5.6 V protective Zener diode.

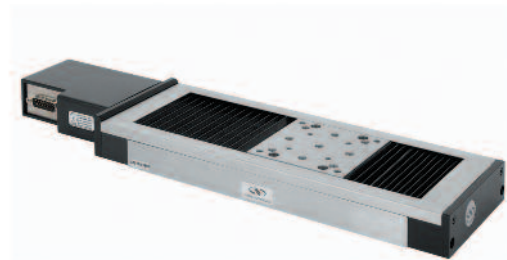


7.0 Dimensions

7.1 UTS-CC and UTS-PP Stages

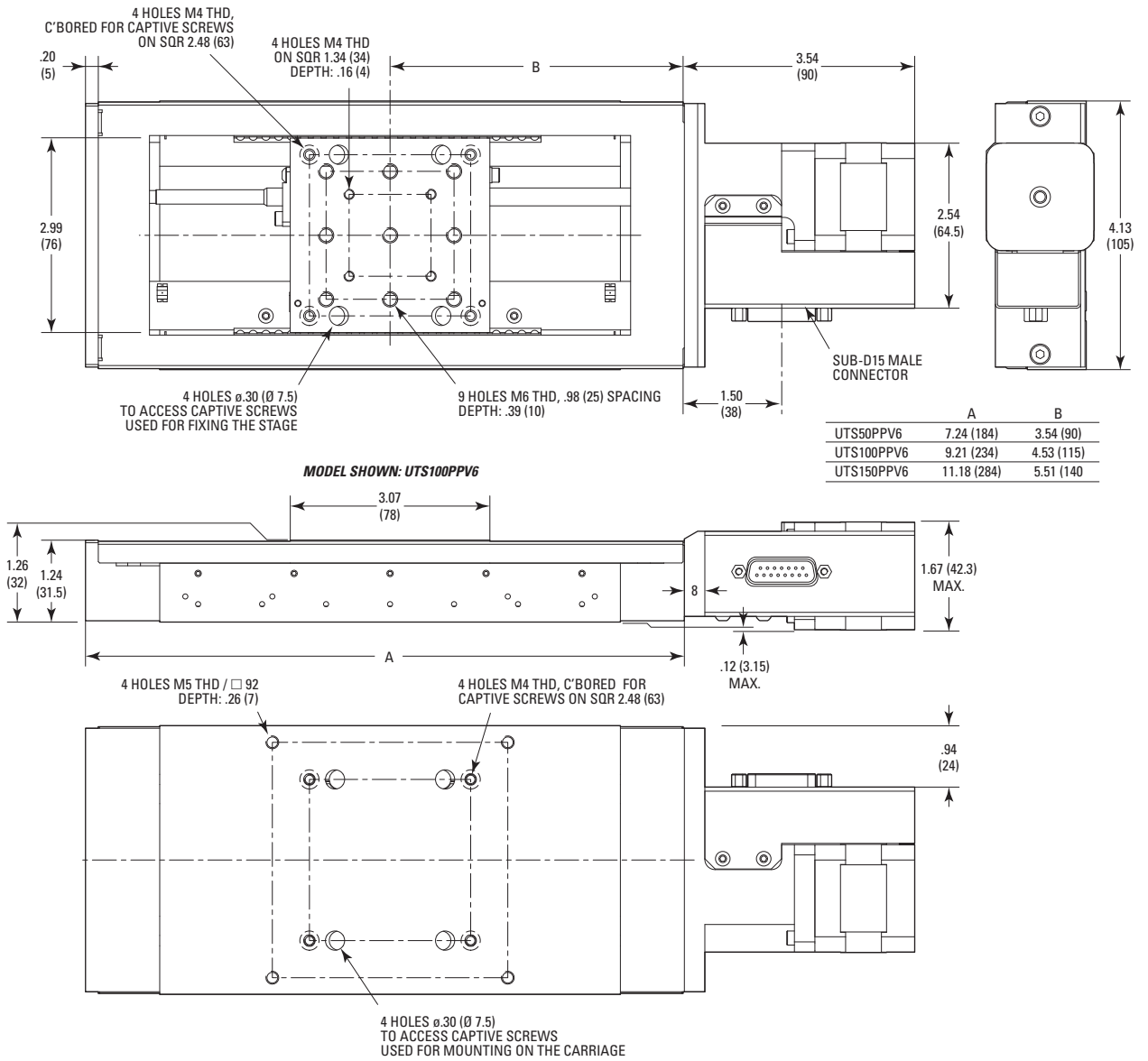


UTS150PP



UTS150CC

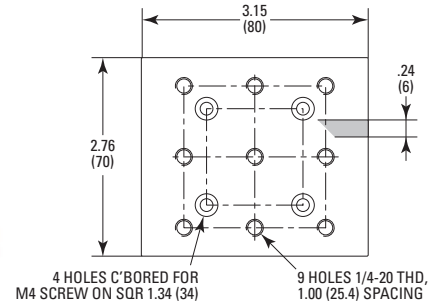
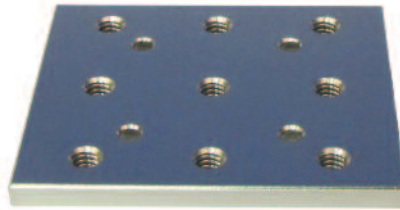
7.2 UTS-PPV6 Vacuum Compatible Stages



UTS50PPV6.

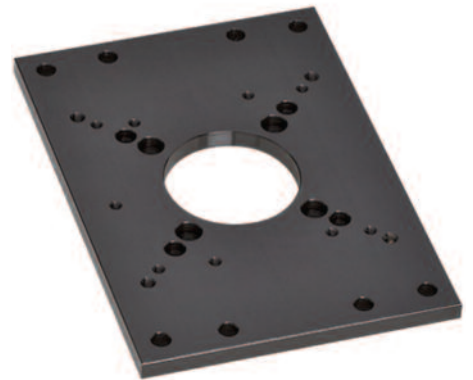
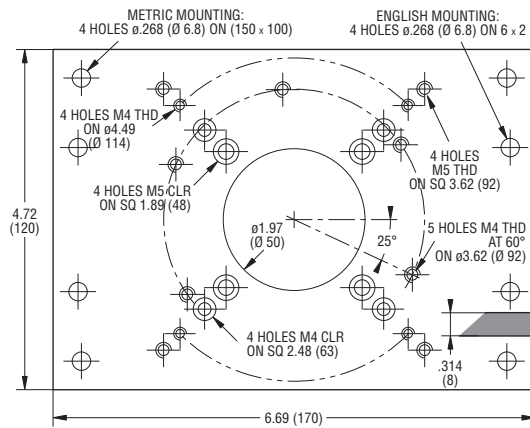
8.0 Accessories

8.1 Top Plate



The **UTS-TP** top plate is necessary if you need an interface with an imperial hole pattern. It must be to ordered separately.

8.2 Base Plates

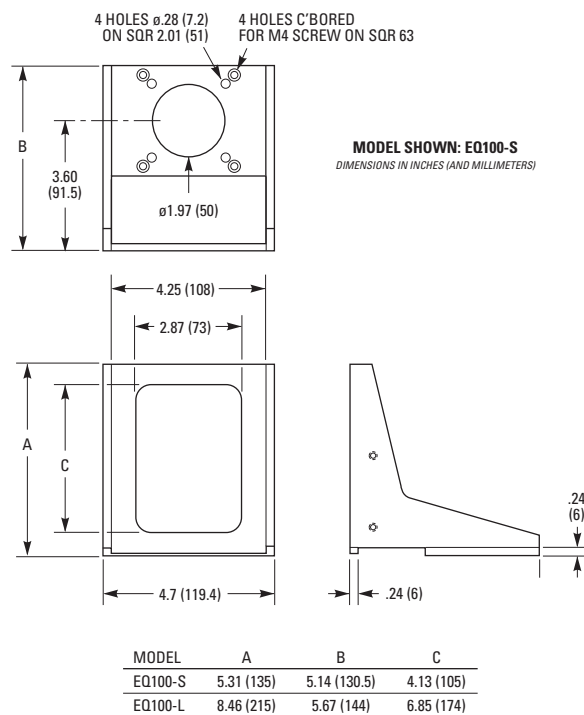


The **M-PBN12** base plate is used with UTS-CC and UTS-PP stages, whereas the **M-PBN12V6** plate must be used with UTS-PPV6 vacuum compatible stages. Both versions must be to ordered separately.



UTS150CC and UTS50C translation stages in XY configuration.

8.3 Right-Angle Brackets



The **EQ100-S** right-angle bracket mounts vertical UTS50 stages to a horizontal UTS. The **EQ100-SV6** vacuum compatible version must be used with the UTS50PPV6 stage.

The **EQ100-L** right-angle bracket mounts vertical UTS100 and UTS150 stages to a horizontal UTS. The **EQ100-LV6** vacuum compatible version must be used with the UTS100PPV6 or UTS150PPV6 stage.

All these versions must be to ordered separately.

9.0 Maintenance

RECOMMENDATION

Please contact Technical Sales Support team for recommendations on application specific maintenance.

9.1 Maintenance

The UTS stage requires no particular maintenance. Nevertheless, this is a precision mechanical device that must be kept and operated with caution.

PRECAUTIONS

The UTS stage must be used or stocked in a clean environment, without dust, humidity, solvents or other substances.

RECOMMENDATION

It is recommended to return the stage to Newport for re-lubrication after 2000 hours of use.

If the UTS stage is mounted on a workstation and cannot be easily removed, please contact Newport's After Sales Service for further instructions.

9.2 Repair

CAUTION



Never attempt to disassemble a component of the stage that has not been covered in this manual.

To disassemble a non specified component can cause a malfunction of the stage.

If you observe a malfunction in your stage, please contact us immediately to arrange for a repair.



CAUTION

Any attempt to disassemble or repair a stage without prior authorization will void your warranty.

9.3 Calibration



CAUTION

It is recommended to return your UTS stage to Newport once a year for recalibration to its original specifications.



Visit Newport Online at:
www.newport.com

North America & Asia

Newport Corporation
1791 Deere Ave.
Irvine, CA 92606, USA

Sales

Tel.: (800) 222-6440
e-mail: sales@newport.com

Technical Support

Tel.: (800) 222-6440
e-mail: tech@newport.com

Service, RMAs & Returns

Tel.: (800) 222-6440
e-mail: service@newport.com

Europe

MICRO-CONTROLE Spectra-Physics S.A.S
9, rue du Bois Sauvage
91055 Évry CEDEX
France

Sales & Technical Support

Tel.: +33 (0)1.60.91.68.68
e-mail: france@newport.com

Service & Returns

Tel.: +33 (0)2.38.40.51.55

